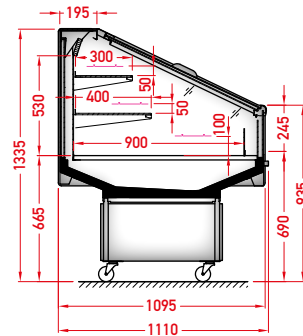


LDFI-29 BSA



1600



LDFI-29 CSS



1600

## STANDARD FEATURES

- working temperature: from 0°C to 2°C for CSS, from 2°C to 4°C for BSA
- electrical defrosting
- automatic evaporation of condensate
- electronic controller with temperature indicator
- exposition: zinc-plated steel, powder coated in white (RAL 9003)
- inox square bumper 25 x 25 mm
- color of the base black (RAL 9005)
- sidewalls glass with black/ grey silk screen painting
- on wheels

## OPTIONS

- LEDit lighting
- manual night blind for BSA

**BSA** – front glass riser | single, straight | fixed  
**CSS** – cover | single, straight | sliding (sideways)



AVAILABLE MODULES

<b>BSA</b>	1250	1600
<b>CSS</b>	1250	1600